

CM6-L1119F/CM6-L1118F

6" LED

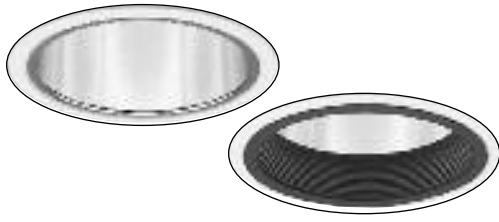
18 and 19 watt



Catalog Number: _____

Type: _____

Project: _____



Description

Six inch downlight rated for use with a variety of LED sources and trims. Two color temperature choices provide even, comfortable illumination for a wide variety of applications.

Features

- 1100 lumen LED package.
- Easy, snap fit installation.
- Many wet location trim options.
- Remote phosphor technology for consistent color.
- c/ETL listed for damp locations and through branch circuit wiring.

CATALOG SYSTEM AND OPTIONS

SAMPLE CATALOG NUMBER: L1119F/830/120-H65SL

Housing	Family	Lumen Package	Wattage	LED Module	CCT	Voltage	Trims (choose one)
CM6 6 inch	L LED	11 1100	18 ¹ 18 watt 19 ² 19 watt	F Fortimo	830 3000K ² 840 4000K ¹	120 120 Volt 277 277 Volt	H63 Gold Reflector H63SL Gold Reflector, Self Lipped H64 Black Reflector H64SL Black Reflector, Self Lipped H65 Low Iridescent Reflector H65SL Low Iridescent Reflector, Self Lipped H66 White Reflector H66SL White Reflector, Self Lipped H67 Wheat Reflector H67SL Wheat Reflectors, Self Lipped H65BC Black Baffle, Clear Lens Insert H65XB Clear Cross Baffle Reflector H65BF Black Baffle, Fresnel Lens Insert H65BP Black Baffle, C73 Prismatic Lens H65B Low Iridescent Reflector, Black Baffle H65WB Low Iridescent Refl., White Baffle H65WBC White Baffle, Clear Lens Insert H65WBF White Baffle, Fresnel Lens Insert H65WBP White Baffle, C73 Prismatic Lens HW63 Gold Reflector, Single Wall Wash HW63 Gold Reflector, Double Wall Wash HW65 Low Irides. Refl., Single Wall Wash HW65 Low Irides. Refl., Double Wall Wash HW67 Wheat Reflector, Single Wall Wash HW67 Wheat Reflector, Double Wall Wash H65C Clear Cone, Clear Lens Insert ² H65F Clear Cone, Fresnel Lens Insert ² H65P Clear Cone, C73 Prismatic Lens ² H66C White Splay, Clear Lens Insert ² H66F White Splay, Fresnel Lens Insert ² H66P White Splay, C73 Prismatic Lens ² H65SWR Shower Trim H65XB Low Irid., Cross Baffle Insert

Footnotes:

1. 4000K module draws 18 watts; lumen package remains the same.
2. 3000K module draws 19 watts; lumen package remains the same.
3. Reflectors are included as part of the assembly and must be included with the catalog number.
4. SL Flange color is the same as reflector color.

FRAME

1. **Frame** - 22 gauge die stamped metal frame with flanged edges to provide a smooth handling surface. The frame can be easily converted in the field to 4" and 8" aperture sizes with interchangeable aperture rings. Frames can be installed before lamp source or wattage has been determined. Suitable for installation in environmental air-handling ceilings.
2. **Mounting** - Adjustable spring steel butterfly brackets accommodate CH24 or CH48 channel bar hangers BH1 adjustable bar hanger, BH3 flat bar hangers, or 1/2" EMT conduit. L-brackets slide into place on any of the four corners to secure emergency option to the frame. Emergency tray rests on bar hangers or EMT for support. Frame can be supported with aircraft cable where required.

ELECTRICAL SYSTEM

1. **Driver** - Steel encased driver is universal 120-277 volt. Maximum current settings of 700mA and 92% efficient at full load. UL recognized component.
2. **LED Module and Heat Sink** - The Fortimo LED module utilizes remote phosphor technology that provides smooth, even illumination and even color temperature from fixture to fixture. It is a UL recognized component. The module is attached directly to a die-cast aluminum heat sink that helps the package run cool to ensure long life. The die-cast heat sink is mounted directly to each reflector and is pre-wired to the driver and junction box door for easy installation.
3. **Junction Box** - Standard thermal protection device inside housing automatically takes the fixture out of service if temperature becomes excessive from overlampping or wrong lamp /trim combination.
4. **c/ETL Listed** - Approved for through branch wiring with up to 8 #12 AWG conductors.

TRIMS

1. **Reflector** - Precision spun low iridescent .050 aluminum. Separate injection molded, white polycarbonate trim ring.
2. **Baffle** - Precision spun .040 aluminum with deep grooves to reduce aperture glare. Non-reflective matte black or white painted finishes.
3. **Installation** - Capri One trims attach directly to the frame via expandable torsion springs. When used in conjunction with the molded spring tabs on the plaster frame, the torsion springs allow for full rotation and adjustment from below the fixture.

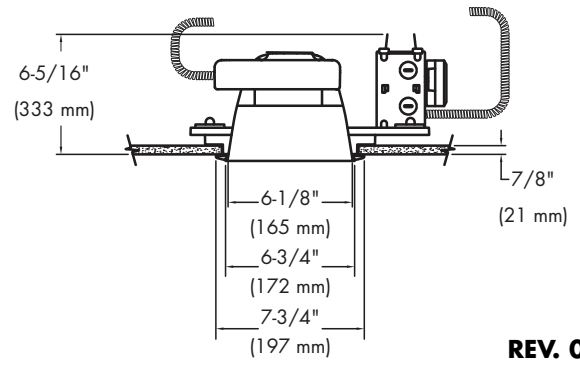
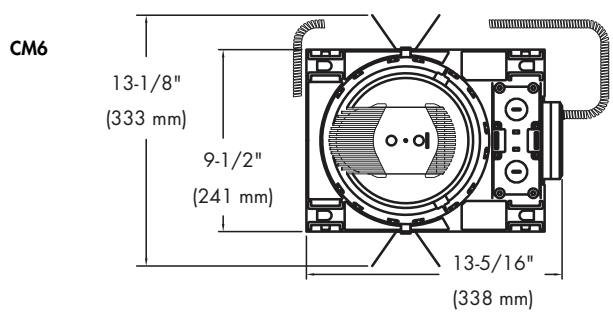
OPTIONS

Dimming Driver - Consult factory.

ACCESSORIES (Order separately)

- 27" Flat Bar HangersBH3
- 26" C-Channel Bar HangersCH24
- 50" C-Channel Bar HangersCH48

DIMENSIONS



REV. 05/09



H65 Clear Reflector



H63 Gold Reflector



H64 Black Reflector



H66 White Reflector



H67 Wheat Reflector

H65SL Clear Reflector, Self-Flanged**

H63SL Gold Reflector, Self-Flanged**

H64SL Black Reflector, Self-Flanged**

H66SL White Reflector, Self-Flanged**

H67SL Wheat Reflector, Self-Flanged**



H65B Clear Reflector, Black Baffle



H65WB Clear Reflector, White Baffle



White Baffle, Glass Lens Insert



Black Baffle, Glass Lens Insert



White Splay, Glass Lens Insert

H65WBC Clear Lens*
H65WBF Fresnel Lens*
H65WBP C73 Prismatic Lens*

H65BC Clear Lens*
H65BF Fresnel Lens*
H65BP C73 Prismatic Lens*

H66C Clear Lens*
H66F Fresnel Lens*
H66P C73 Prismatic Lens*



Clear Cone, Glass Lens Insert



HW65 Clear Reflector, Single Wall Wash



H65XB Low Iridescent Cross Baffle Reflector



HW63 Gold Reflector, Single Wall Wash



H65SWR Shower Trim*

H65C Clear Lens*
H65F Fresnel Lens*
H65P C73 Prismatic Lens*

*cUL Listed Wet Location. **Self-flanged has same finish as reflector.

PHOTOMETRICS

C1LED6-H65SL

Report number: 28094
Lamp: (1)18WLED; 1100 lumens
Fixture Efficiency: 87.7%
S/MH Ratio (0 degree plane):1.6
(90 degree plane): 1.6
Total Fixture Lumens: 965
IES file: F28094.IES
Beam Angle: 102.73

LIGHTING PERFORMANCE DATA		
CEILING HEIGHT* (FT.)	INITIAL FOOTCANDLES	BEAM DIAMETER (FT.-IN.)
8	13.0	13 - 9
10	7.0	18 - 9
12	4.4	23 - 9
14	3.0	28 - 9
16	2.2	33 - 9

DEGREES	CANDELA		FOOT-LAMBERTS
	AT 0°	AT 90°	
90	0	0	
85	0	0	0
75	2	2	124
65	17	17	644
55	117	116	3250
45	340	338	7671
35	421	412	
25	377	370	
15	379	378	
5	392	392	
0	394	394	

COEFFICIENTS OF UTILIZATION ZONAL CAVITY METHOD						
Effective Floor Cavity Reflectance 0.20						
RC	80			50		
	50	30	10	30	50	10
0	104	104	104	96	96	96
1	94	92	90	89	86	84
2	84	81	77	81	77	73
3	77	70	66	72	68	65
4	68	63	57	66	60	56
5	61	56	51	59	54	50
6	56	50	45	54	48	44
7	52	45	40	50	44	39
8	46	40	35	45	39	34
9	42	35	32	41	35	32
10	40	33	28	38	33	28